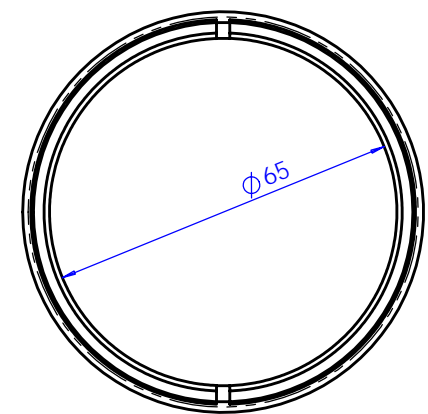
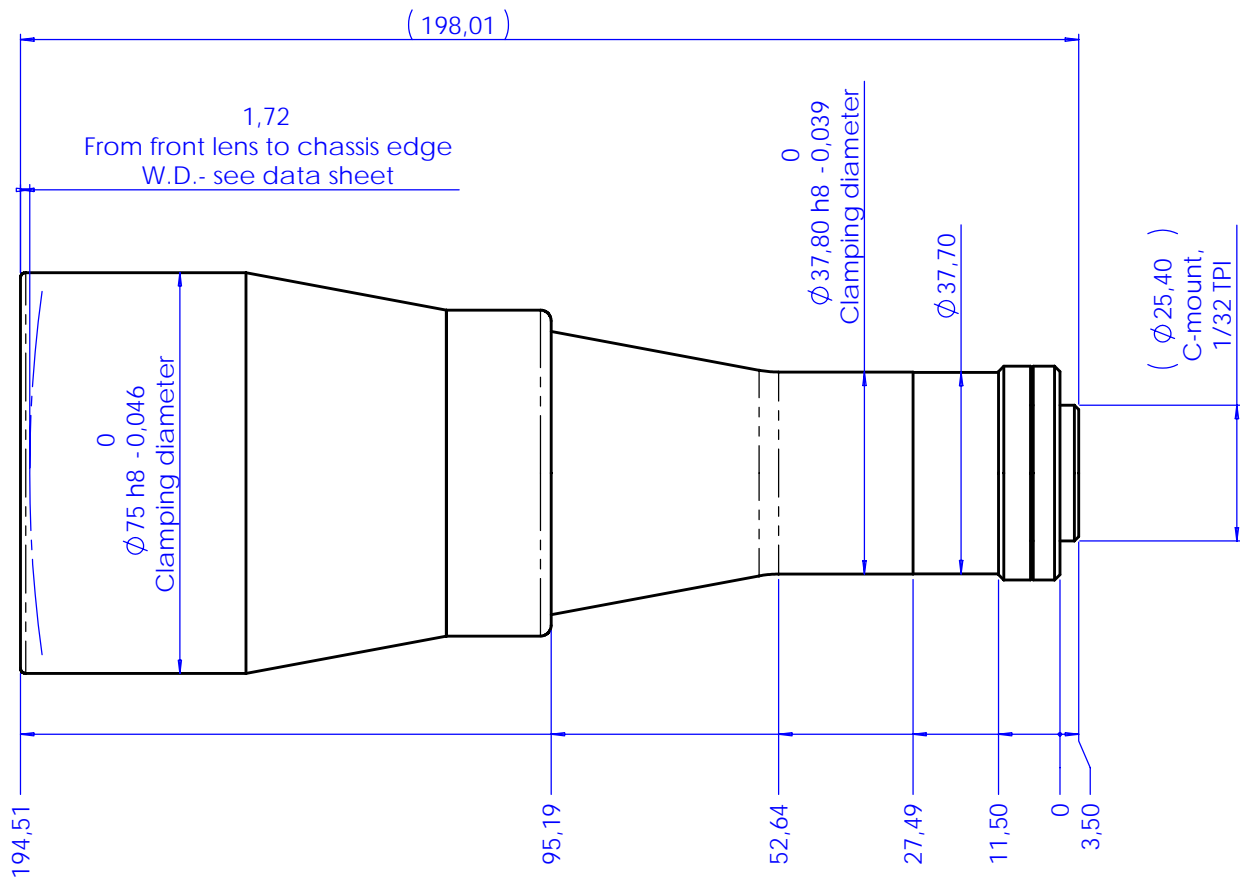


Rev No.	Description	Date	Name
A	First light	09/05/08	A.Vismara



Material	N.A.		Mass	0.75 kg	Scale	1:1		
Surface treatment	N.A.		Project-Prod.Item/Instrument Telecentric lens UV 23 48					
Geometrical tolerance (ISO 2768-2)		Class	K	Description				
Linear tolerance (ISO 2768-2)		Class	m	Undimensioned bevels	1x45°	Assembly		
0.5	>3-	>6-	>30-	>120	>400-		>1000	Undimensioned radii
+3	6	30	120	+400	+1000	+2000		
±0.1	±0.1	±0.2	±0.3	±0.5	±0.8	±1.2		
www.opto-engineering.com		Date		Name				
Designed		09/05/08	A.Vismara					
Draw		09/05/08	A.Vismara					
Checked		X	C. Sedazzari					
Drawing No.			Sheet					
02622-0-A			1/1					
Reproduction forbidden without specific authorization								